

Model Number: P830668  
Product Line: Peerless Gold

Revision: Rev 2\_0  
Date: 29-May-12

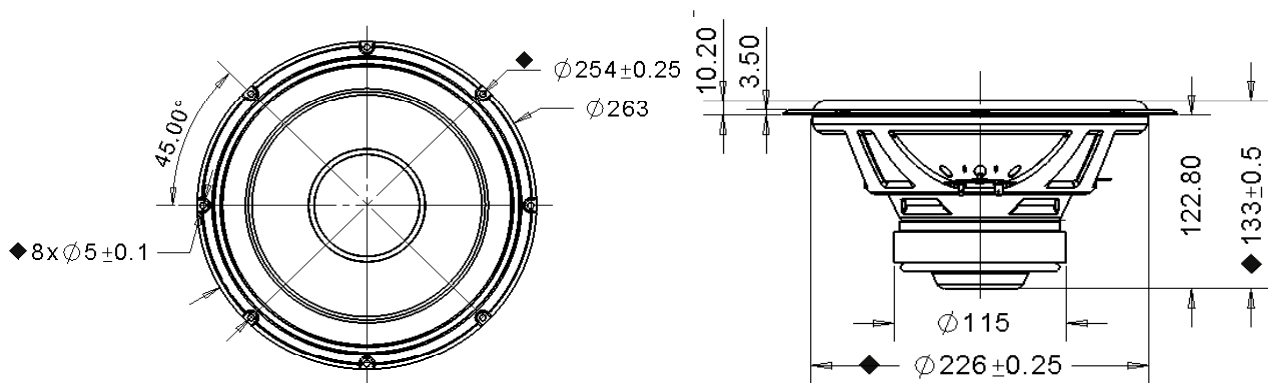


### Product Description:

The SLS line combines high quality performance with an affordable design. This 10 inch 8 ohm member of the SLS family features a rigid steel basket, a coated paper cone, and a ferrite magnet motor with aluminium shorting ring for improved distortion performance.



### Mechanical 2D Drawing:



### Specifications:

DC Resistance	$R_{\text{evc}}$	$\Omega$	5.6	$\pm 7.5\%$	Energy Bandwidth Product	EBP	$(1/Q_{\text{es}}) \cdot f_s$	54
Minimum Impedance	$Z_{\text{min}}$	$\Omega$	7.3	$\pm 7.5\%$	Moving Mass	$M_{\text{ms}}$	g	56.28
Voice Coil Inductance	$L_e$	mH	1.37		Suspension Compliance	$C_{\text{ms}}$	um/N	429.0
Resonant Frequency	$f_s$	Hz	32	$\pm 15\%$	Effective Cone Diameter	D	cm	21.0
Mechanical Q Factor	$Q_{\text{ms}}$	-	7.1		Effective Piston Area	$S_D$	cm <sup>2</sup>	346.4
Electrical Q Factor	$Q_{\text{es}}$	-	0.59		Equivalent Volume	$V_{\text{as}}$	L	72.904
Total Q Factor	$Q_{\text{ts}}$	-	0.55		Motor Force Factor	BL	T-m	10.42
Ratio $f_s / Q_{\text{ts}}$	F	$f_s / Q_{\text{ts}}$	59		Motor Efficiency Factor	$\beta$	$(T \cdot m^2) / \Omega$	19.35
Half Space Sensitivity @ 2.83V	dB@2.83V/1m	dB	87.9	$\pm 1.0^1$	Voice Coil Former Material	VC <sub>m</sub>	-	GSV
Sensitivity @ 1W/1m	1W/1m	dB	86.4	$\pm 1.0^1$	Voice Coil Inner Diameter	VC <sub>d</sub>	mm	38.4
					Gap Height	Gh	mm	8.0
Rated Noise Power (IEC 2685 18.1)	P	W	70		Maximum Linear Excursion	$X_{\text{max}}$	mm	8.3
Test Spectrum Bandwidth	30Hz-2KHz		12 dB/Oct		Ferofluid Type	FF	-	N/A
					Transducer Size	-	-	10 inch
					Transducer Mass	-	Kg	2.70

1 - Piston Band Sensitivity Tolerance

### Frequency and Impedance Response:

